

SAMÞYKKT AF BYGGINGARFULLTRUA

N. 2001

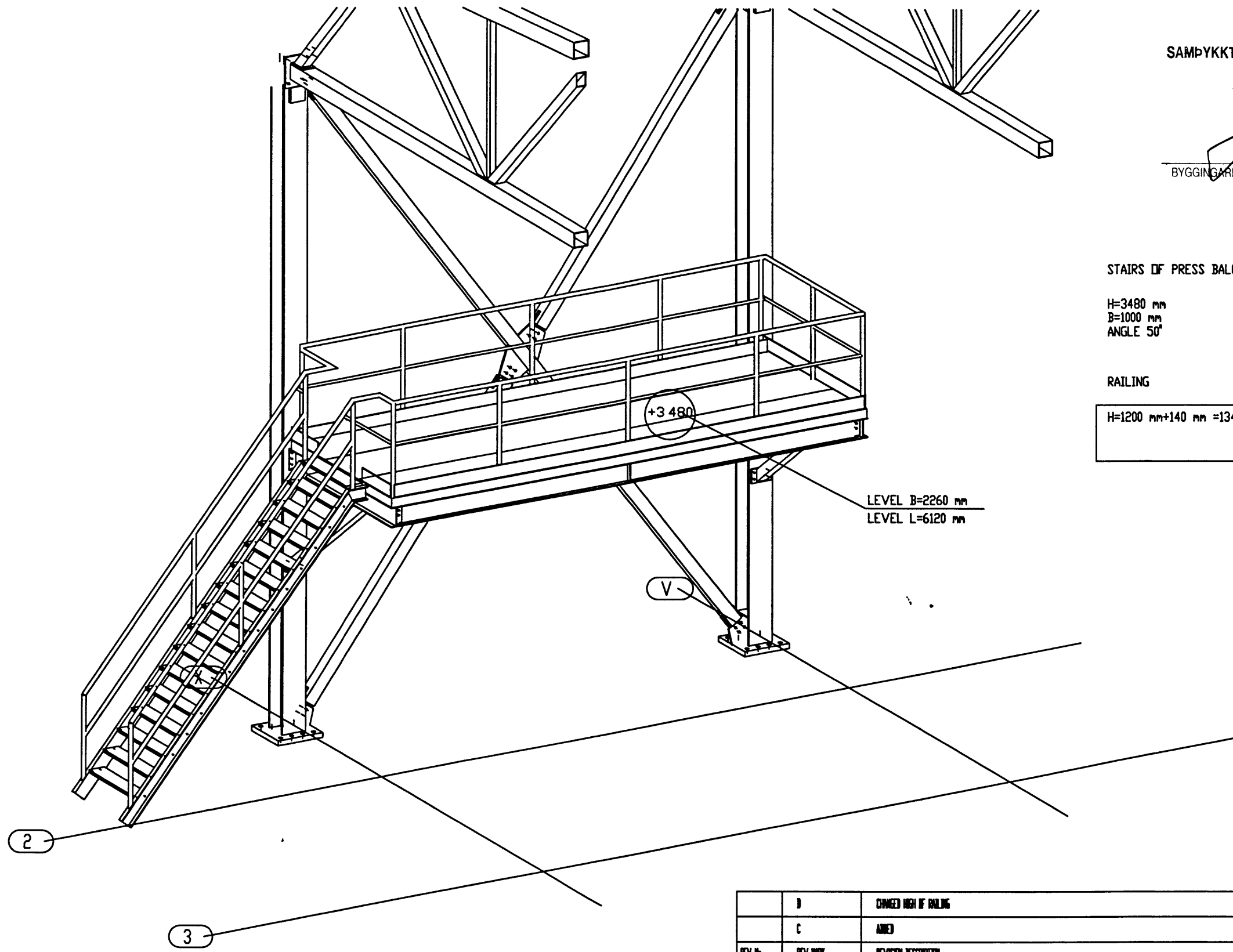
BYGGINGARFULLTRUINGI VESTMANNAEYJUM

STAIRS OF PRESS BALCONY (+0.000-+3.480)

H=3480 mm
B=1000 mm
ANGLE 50°

RAILING

H=1200 mm+140 mm =1340 mm UPWARDS OF THE TOP OF STEEL STRUCTURE



| | | | |
|--------|----------|-------------------------|---------------|
| | B | CHANGED HIGH OF RAILING | 15.11.2000 |
| | C | AMEND | 16.11.2000 |
| REV No | REV MARK | REVISION DESCRIPTION | REVISION DATE |



| | | | |
|---------------|---|------------|------------|
| DRAWING TITLE | STAIRS OF PRESS BALCONY (+0.000-+3.480) | | |
| CONTRACT | Rannla Steel Dy | | |
| MODELLED BY | | ISSUE DATE | 16.11.2000 |
| CONTRACT NO | 36-0402 | SCALE | |