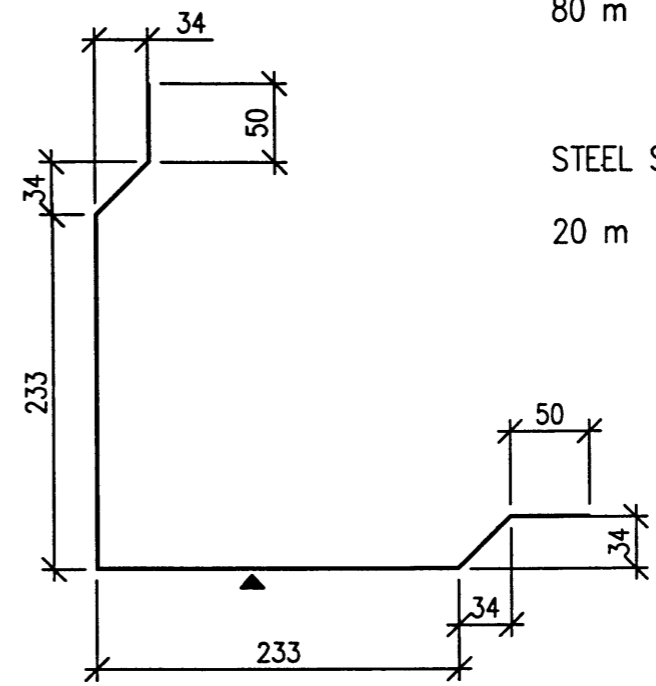


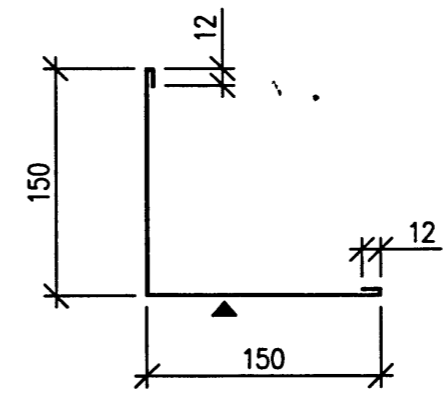
STEEL SHEET 12 mm, PE-COATED
(RANNILA FH1)

80 m



STEEL SHEET 12 mm, PE-COATED


20 m



ALUMINIUM 12 mm, PVF2-COATED

40 m

- 1 RANNILA CASSETTI 200/12 mm, MINERAL WOOL 200 mm - PURCHASE OF CLIENT
- 2 WIND BARRIER, 30 mm, PURCHASE OF CLIENT
- 3 RANNILA FASSETTI, TYPE A, 12 mm, ALUMINIUM, PVF2-COATED
- 4 STEEL SHEET 12 mm, PE-COATED, RANNILA FH1
- 5 STEEL SHEET 12 mm, PE-COATED, RANNILA FH2
- 6 ALUMINIUM 12 mm, PVF2-COATED
- 7 FASTENING SCREW, SD3-S-A14-4 8*20
- 8 FASTENING SCREW, SD3-S-A14-4.8*20, COLOURED

REV No	REV INNK	REVISION DESCRIPTION	REVISION DATE
	A	CHANGED	REJUM
			
DRAWING TITLE		HORIZONTAL SECTION (EDGE WALL/SIDE WALL ON LINE R)	
CONTRACT		Rannila Steel Oy	
MODELLED BY		ISSUE DATE	26.09.2000
CONTRACT NO		SCALE	1/50