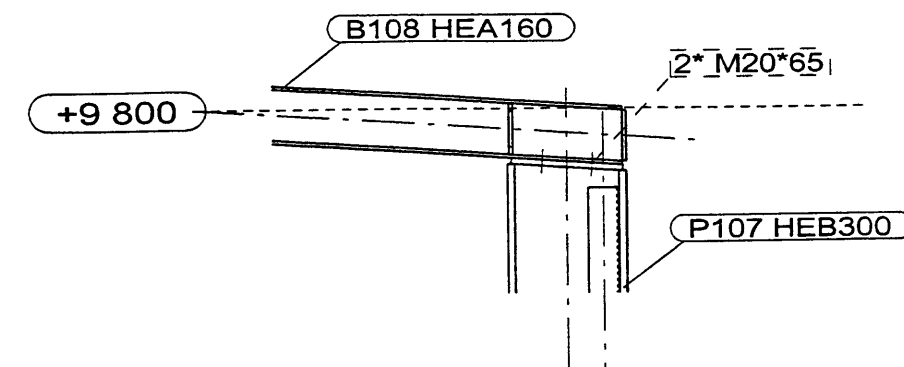
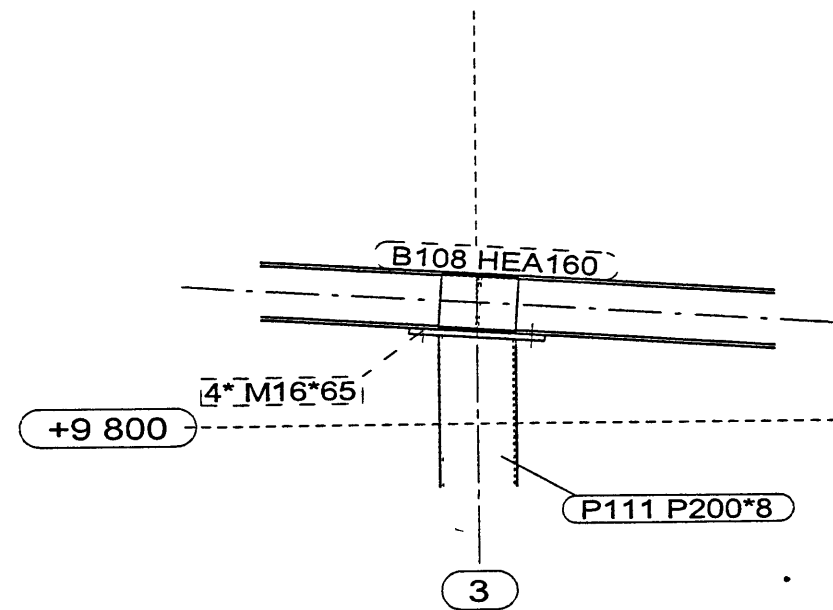
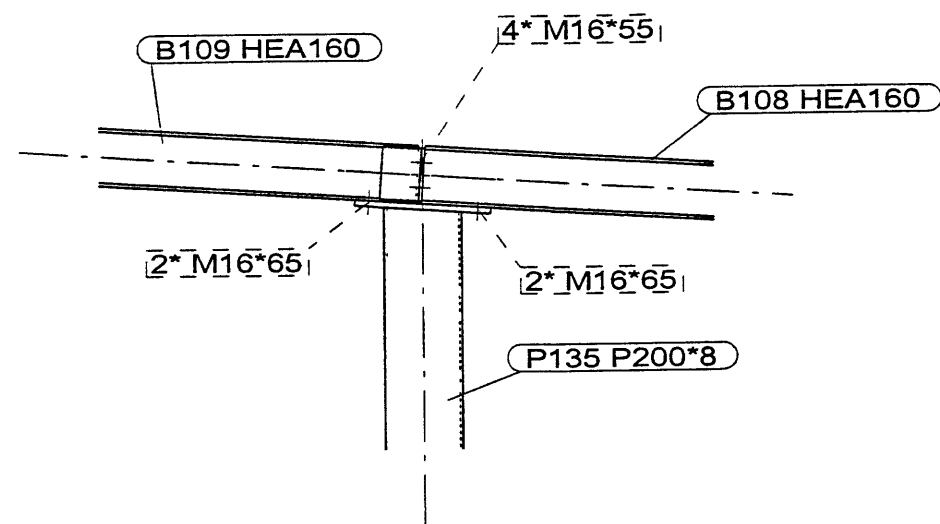


SAMÞYKKT AF BYGGINGARFULLTRUA

07. 11. 2000

BYGGINGARFULLTRUINGI VESTMANNAEYJUM



REV No	REV MARK	REVISION DESCRIPTION	REVISION DATE
DRAWING TITLE		-7007/6, COLUMN - GABLE BEAM -JOINT	
CONTRACT		Rannila Steel Oy	
MODELLED BY		ISSUE DATE	04 10 2000
CONTRACT NO		36-0402	SCALE

