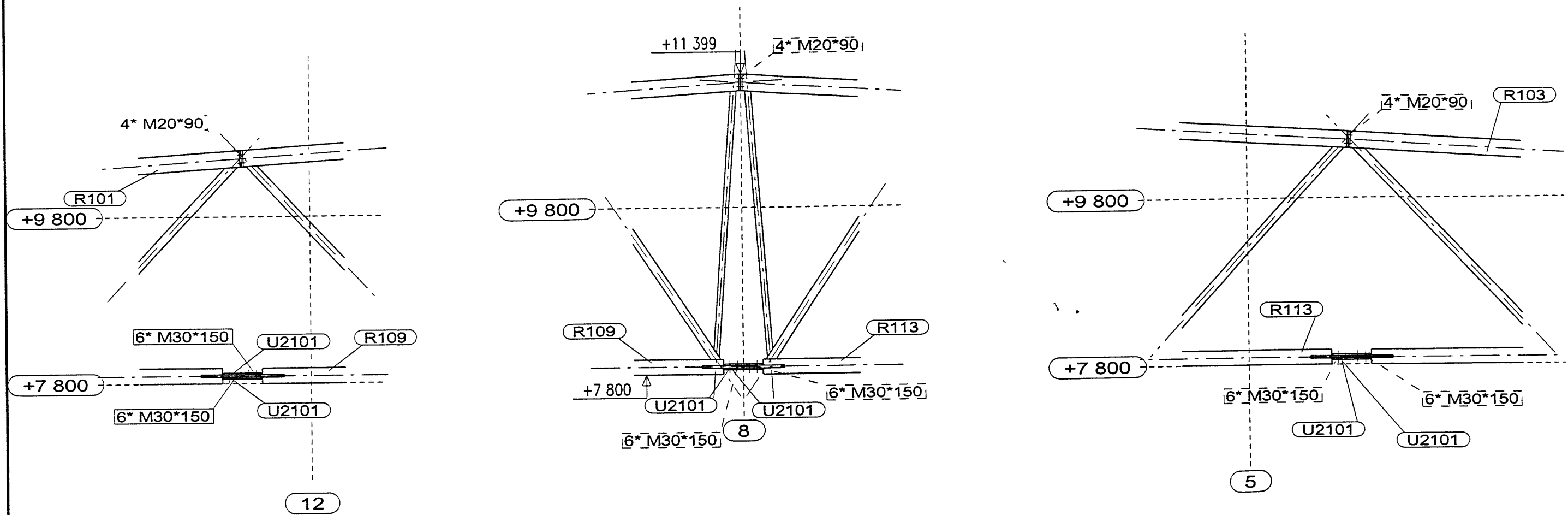



SAMPYKKT AF BYGGINGARFULLTRUA

05 JUN 2001

BYGGINGARFULLTRUINN I VESTMANNAEYJUM



REV No	REV MARK	REVISION DESCRIPTION	REVISION DATE
			 THE 3D SOLUTION STEEL
DRAWING TITLE		-7007/3, ROOF TRUSS -JOINTS	
CONTRACT		Rannila Steel Oy	
MODELLED BY		ISSUE DATE	04 10 2000
CONTRACT NO		36-0402	SCALE 1/50