

NR.	TEKI
1IB1	INNBLÁSARI
1UB1	UTBLÁSARI
1DH1	HRINGRÁSARDELA
ISM1	SPJALDLOKUMÓTOR FERSKLOFT ON/OFF
ISM2	SPJALDLOKUMÓTOR AFKASTLOFT ON/OFF
ISV1	SIUVÓKTUN AFKASTLOFT STAEFA FK-PP3
ISV2	SIUVÓKTUN FERSKLOFT STAEFA FK-PP3
IFV1	FROSTVÖRN I LOFTÞVERSNIÐI STILLT Á 75°C
1HN1	HITANEMI FASTUR HITI INNBLÁSTUR 12°C STAEFA FK-T1
1ML1	MÓTORLOKI HITAFLOTUR STAEFA M3P25C/A
1RE1	REYKSKYNJARI INNBLÁSTUR
1RE2	REYKSKYNJARI AFKASTLOFT
1SL1	BLADLOKA AFKASTLOFT
1SL2	BLADLOKA FERSKLOFT
1LS1	LOFTSÍA FERSKLOFT EU7
1LS2	LOFTSÍA AFKASTLOFT EU5
1PS1	PLÖTUVARMASKIPTIR F/LOFT
1HD1	HLJÓDEYFIR AFKASTLOFT
1HD2	HLJÓDEYFIR FERSKLOFT
1HF1	HITAFLOTUR I LOFTÞVERSNIÐI
1VS1	VARMASKIPTIR F/VATNSK.
+L301	LOFTRESTITSKAPUR
1KL1	KLUKKA
1SST1	STJÖRNSTÖÐVAR STAEFA RK88L_RK8 RKDG
1AL1	AFLÖFTUN
1UR1	AFKASTRIST 1300X2000
1IR1	FERSKLOFTSRIST
1HM1A	HITAMELIR I FERSKLOFTSSTOKK (AFLESTRAR)
1HM1B	HITAMELIR I AFKASTSTOKK (AFLESTRAR)
1HM1C	HITAMELIR I ÚTSOGSSTOKK (AFLESTRAR)
1HM1D	HITAMELIR I INNBLÁSTURSSTOKK (AFLESTRAR)
1FK1	FÖRÐAKER 150mm PVC RÖR
1DR1	HANDELA
1PK1	ÞENSLUKER 20L
1ÖR1	ÖRYGGISLOKI
1PL1	ÞENSLUOKI KELIR/MÓTORLOKI KELIR
1KP1	KELIPRESSA
1FV2	FROSTVÖRN I VATNI STILLT Á 8°C
1HN2	HITANEMI ÚTSOG STAEFA FK-T1
1HN3	HITANEMI AFKASTLOFT STAEFA FK-T1
1SK3	SPJALDLOKUMÓTOR BYBASS ANALÖG
1SL3	SPJALDLOKA BYBASS STAEFA ASUJID 15 F/A
1LS3	FÖRSÍA EU3
1SV3	SIUVÓKTUN FÖRSÍA FERSKLOFT STAEFA FK-PP3
1LS1	FÖRSÍA FERSKLOFT EU7
1HN4	HITANEMI KELIR STAEFA FD-T3

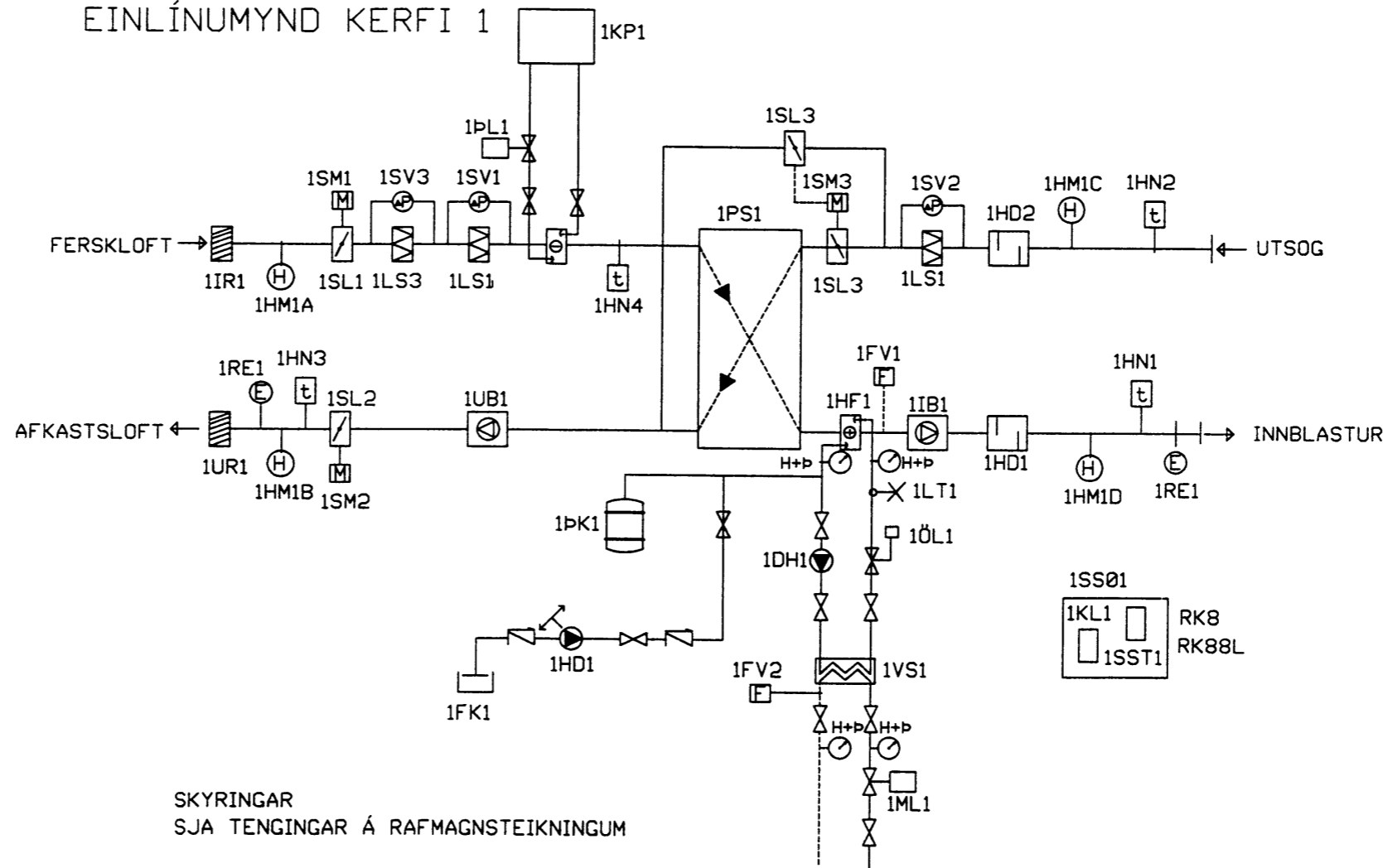
SKYRINGAR

- SPJALDLOKA
- SÍA
- HITARI LOFTRETING
- BLÁSARI
- HLJÓDEYFIR
- VARMASKIPTIR HITAKERFI
- HITAMELIR
- SPJALDLOKUMÓTOR
- ROFI
- FROSTVARNARLIDI
- MÓTORLOKI
- KULULOKI
- HITÁ- OG ÞRYSTIMELIR
- SIUVAKI
- REYKSKYNJARI
- DELA
- VARMASKIPTIR LOFTRETING
- ÞRYSTIÞENNSLUKER
- HANDELA
- ÁFYLLINGARTANKUR
- EINSTEFNULOKI
- KELIR LOFTRETING

NR.	STAÐSETNING	TEGUND	LOFTMAGN
1	VINNSLUSALUR	FAREX DRID-200	600 m <sup>3</sup> /h
2	VINNSLUSALUR	FAREX DRID-200	600 m <sup>3</sup> /h
3	VINNSLUSALUR	FAREX DRID-200	600 m <sup>3</sup> /h
4	VINNSLUSALUR	FAREX DRID-200	600 m <sup>3</sup> /h
5	VINNSLUSALUR	FAREX DRID-200	600 m <sup>3</sup> /h
6	VINNSLUSALUR	FAREX DRID-200	600 m <sup>3</sup> /h
7	VINNSLUSALUR	FAREX DRID-200	600 m <sup>3</sup> /h
8	VINNSLUSALUR	FAREX DRID-200	600 m <sup>3</sup> /h
9	VELASALUR	FAREX DRID-200	550 m <sup>3</sup> /h
10	VELASALUR	FAREX DRID-200	550 m <sup>3</sup> /h
11	VELASALUR	FAREX DRID-200	550 m <sup>3</sup> /h
12	VELASALUR	FAREX DRID-200	550 m <sup>3</sup> /h
13	VELASALUR	FAREX DRID-200	550 m <sup>3</sup> /h
14	VELASALUR	FAREX DRID-200	550 m <sup>3</sup> /h
15	VELASALUR	FAREX DRID-200	550 m <sup>3</sup> /h
16	VELASALUR	FAREX DRID-200	550 m <sup>3</sup> /h
17	VERKSTJÖRAKOMPA	LINDAB-PKL-1-600-200	400 m <sup>3</sup> /h
18	PÁSUKOMPA	LINDAB-PKL-1-600-250	600 m <sup>3</sup> /h
19	VERKSTJÖRAKOMPA	LINDAB-PKL-1-600-200	400 m <sup>3</sup> /h
20	SALTFISKUR	KEMUR SÍÐAR	5000 m <sup>3</sup> /h
	ALLS		15000 m <sup>3</sup> /h

NR.	STAÐSETNING	TEGUND	LOFTMAGN
U1	VINNSLUSALUR	FAREX DRID-200	1150 m <sup>3</sup> /h
U2	VINNSLUSALUR	FAREX DRID-200	1150 m <sup>3</sup> /h
U3	VINNSLUSALUR	FAREX DRID-200	1150 m <sup>3</sup> /h
U4	VINNSLUSALUR	FAREX DRID-200	1150 m <sup>3</sup> /h
U5	VELASALUR	FAREX DRID-200	1050 m <sup>3</sup> /h
U6	VELASALUR	FAREX DRID-200	1050 m <sup>3</sup> /h
U7	VELASALUR	FAREX DRID-200	1050 m <sup>3</sup> /h
U8	VELASALUR	FAREX DRID-200	1050 m <sup>3</sup> /h
U9	VERKSTJÖRAKOMPA	LINDAB-PKL-0-600-200	350 m <sup>3</sup> /h
U10	PÁSUKOMPA	LINDAB-PKL-0-600-250	550 m <sup>3</sup> /h
U11	SALERNI	LINDAB-LCA-100	200 m <sup>3</sup> /h
U12	VERKSTJÖRAKOMPA	LINDAB-PKL-0-600-200	550 m <sup>3</sup> /h
U13	SALTFISKUR	KEMUR SÍÐAR	5000 m <sup>3</sup> /h
	ALLS		10000 m <sup>3</sup> /h

EINLÍNUMYND KERFI 1



SKYRINGAR  
SJA TENGINGAR Á RAFMAGNSTEIKNINGUM