

STOÐ 6, 1:20

STOÐ 7, 1:20

S60-S60 (1 : 20)

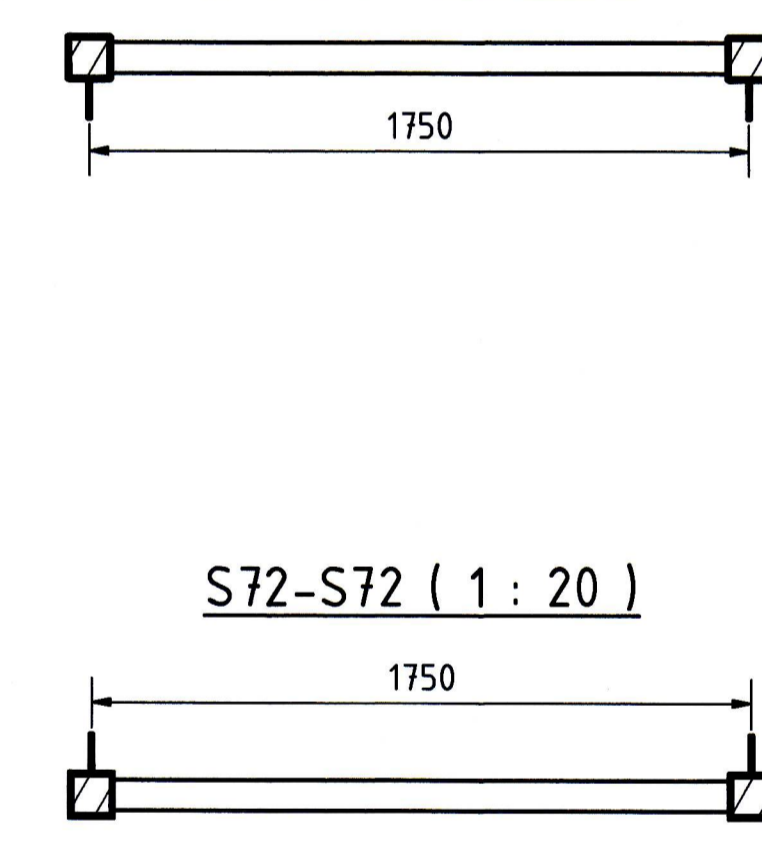
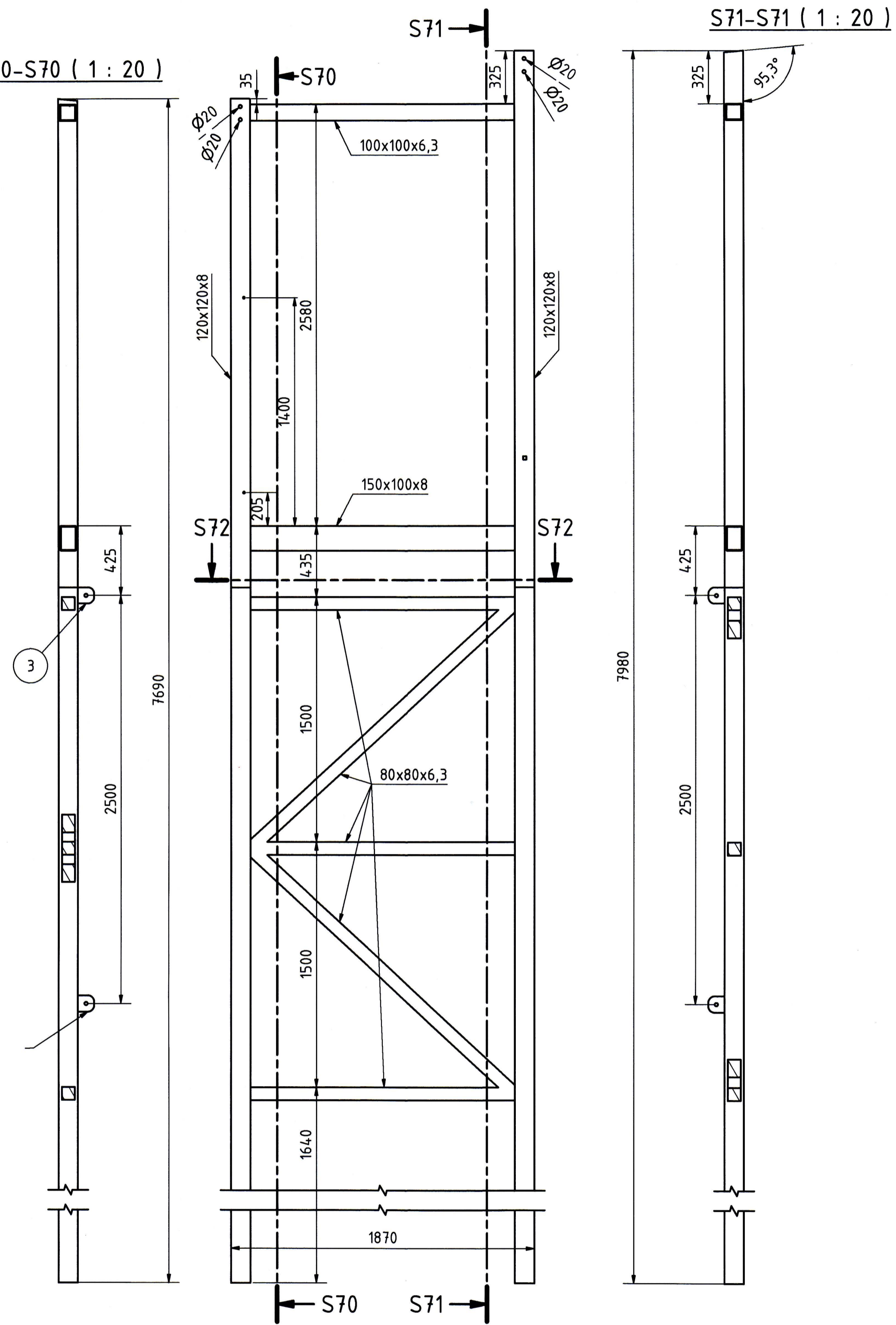
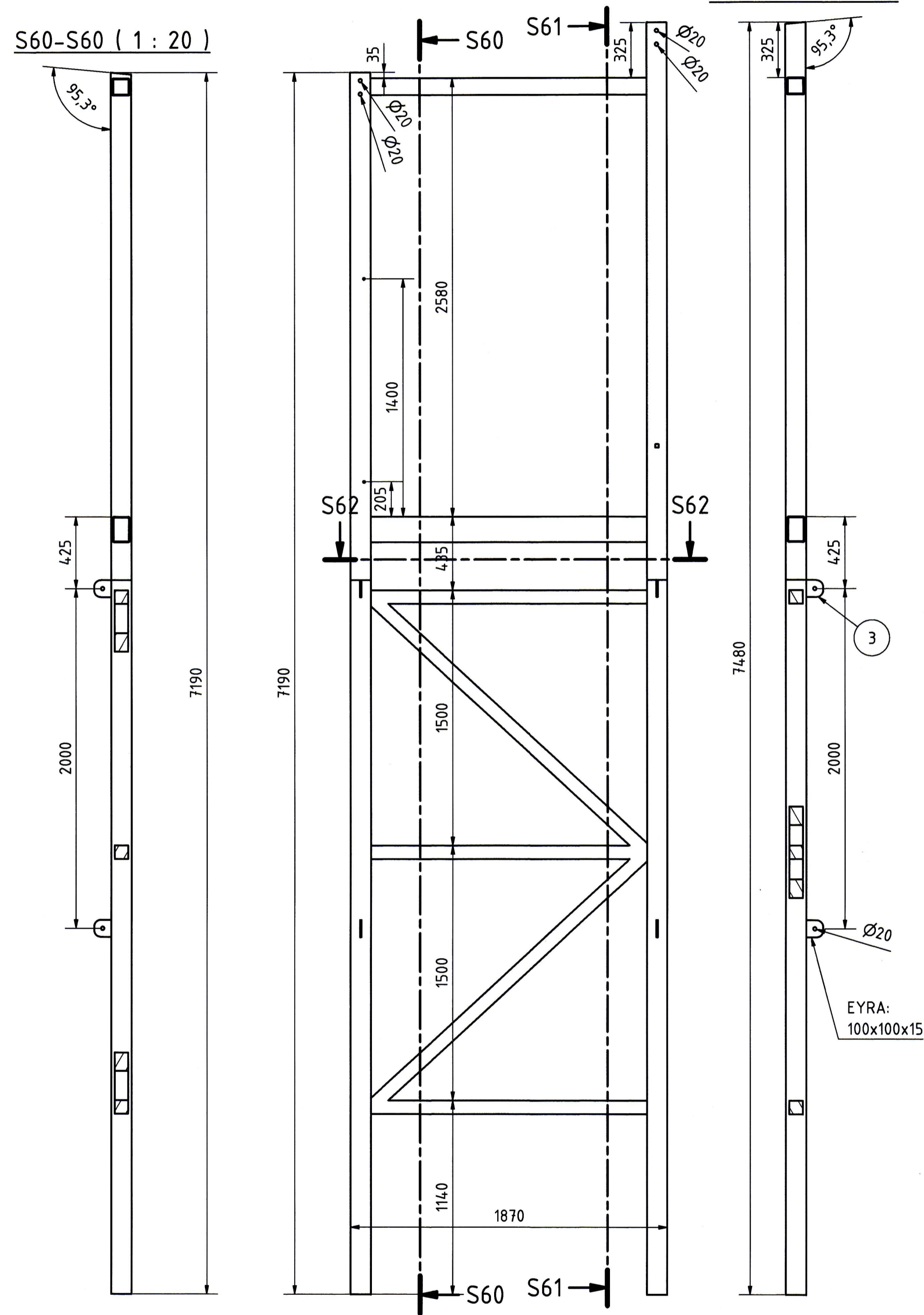
S61-S61 (1 : 20)

S70-S70 (1 : 20)

S71-S71 (1 : 20)

S62-S62 (1 : 20)

S72-S72 (1 : 20)



NOTE:
 UPPER PART OF ALL STOÐ 1 TO 7 (FRAMES) ARE SIMILAR.
 BOARING AT TOP ARE SAME FOR ALL STOÐ, SEE DETAIL S12 AND S13
 FOR STOÐ 1.

Samþingahönnuður:
LOTA
 Kt. 701283-1129
 Kristinn Eiríksson, kt. 720659-2749
 Hönnunarstjóri

Hafnargata 2 - Vestmannaeyjar

Skábraut;
 Stoðir S6, S7 og sémyndir

Date	Name
Drawn 12.3.2019	Notandi
Checked	
Standard	

Date	Changes	Date	Name