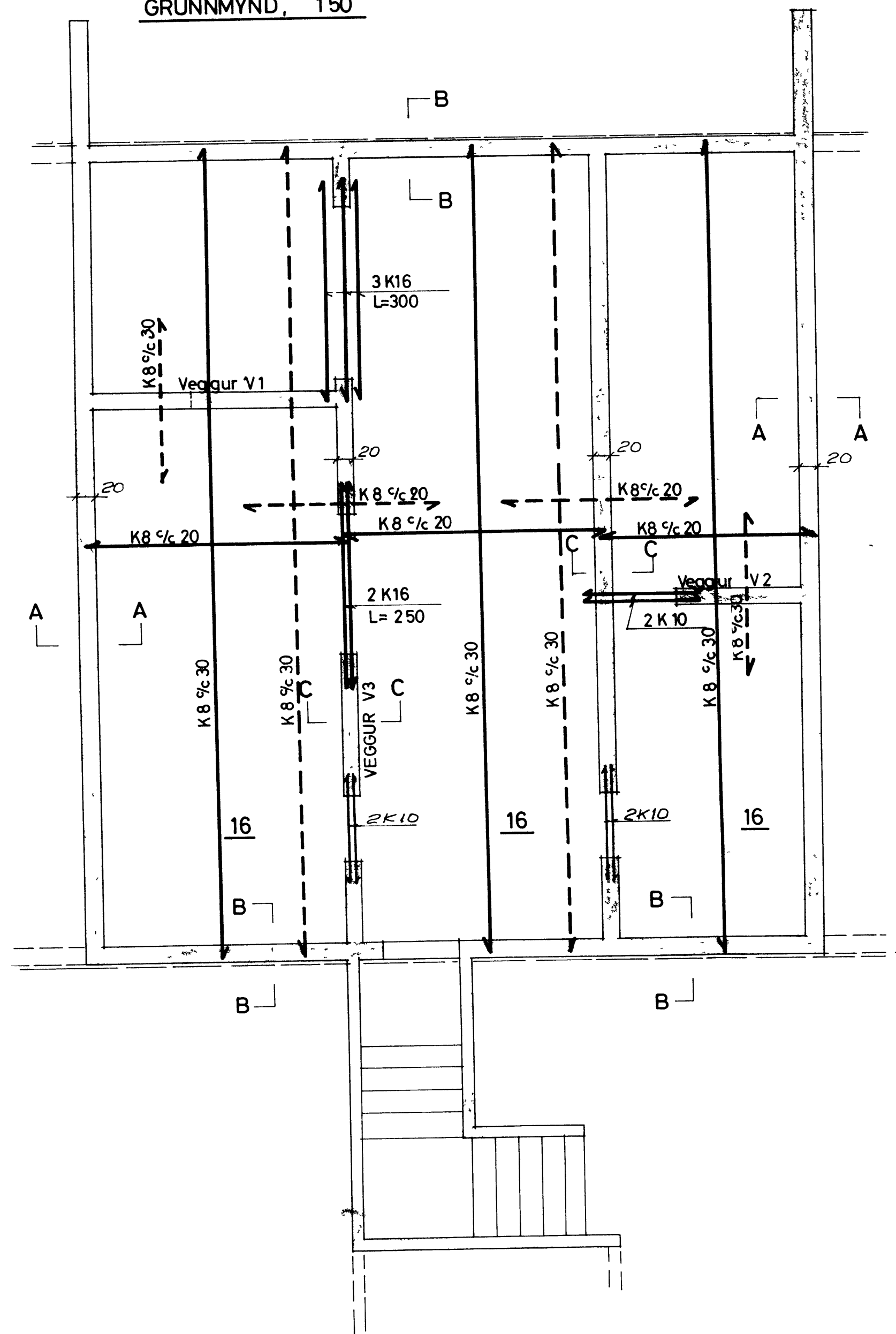
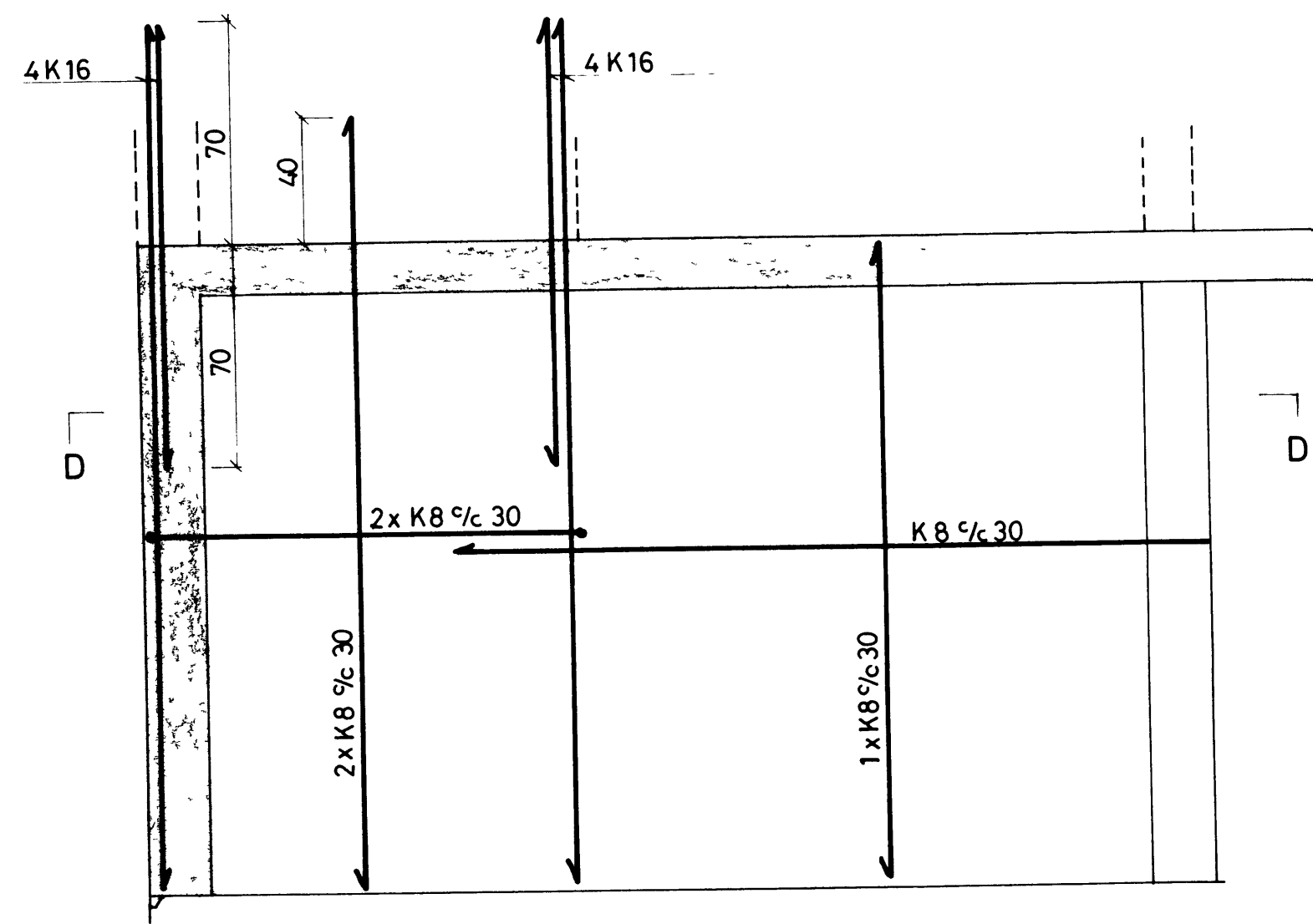


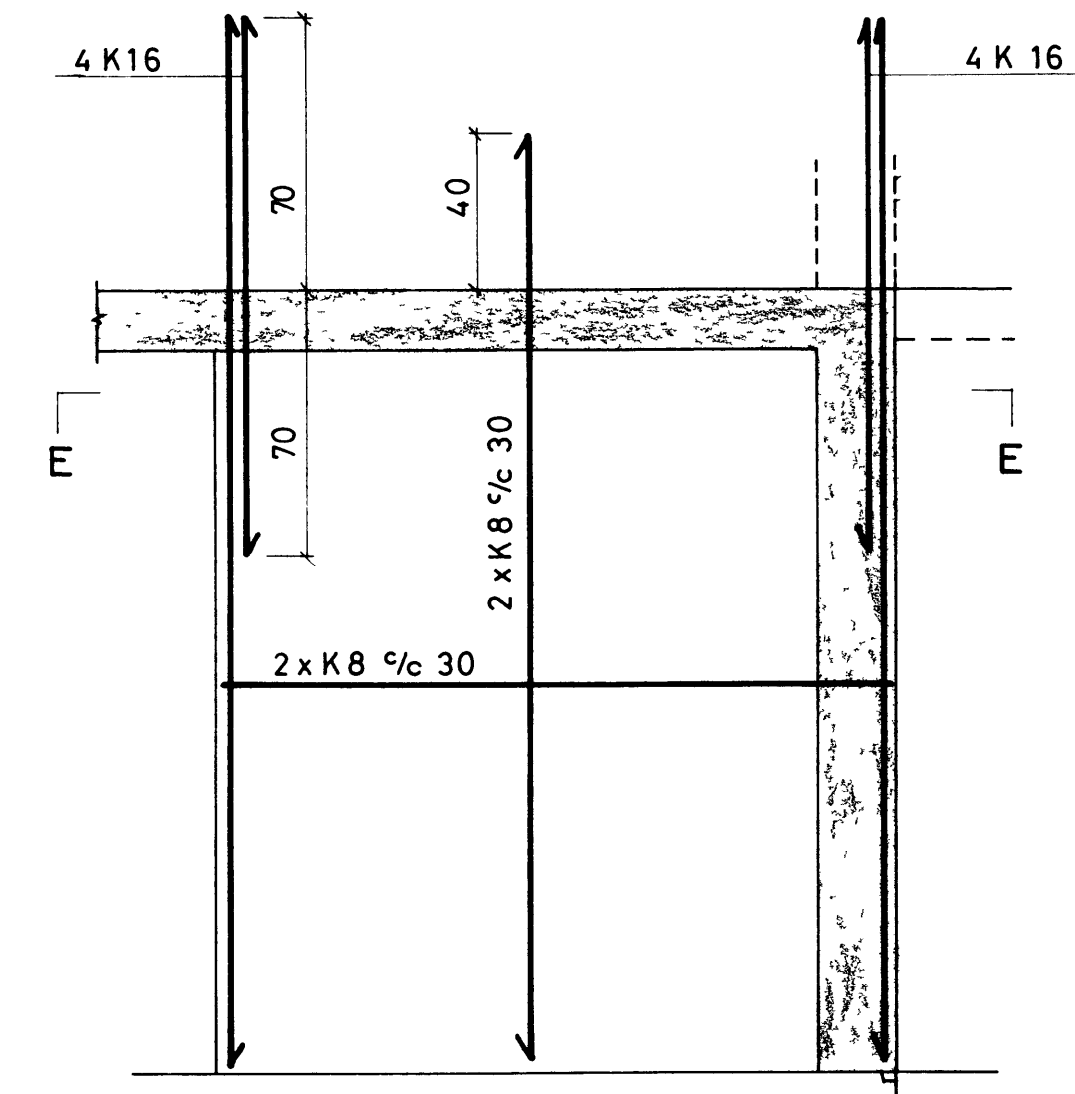
GRUNNMYND, 150



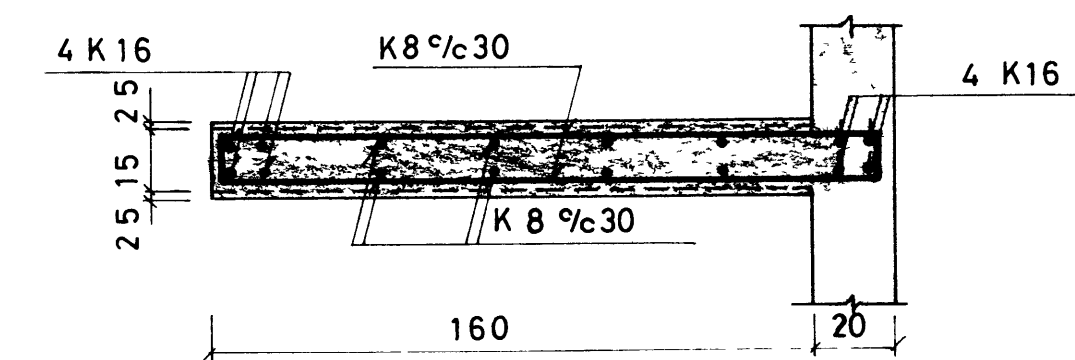
VEGGUR V1, 120



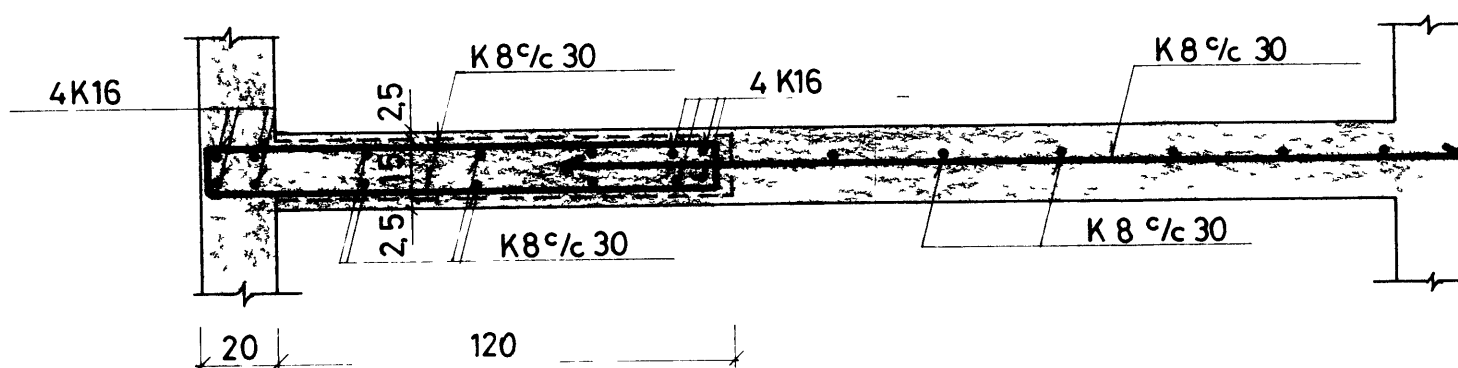
VEGGUR V2, 120



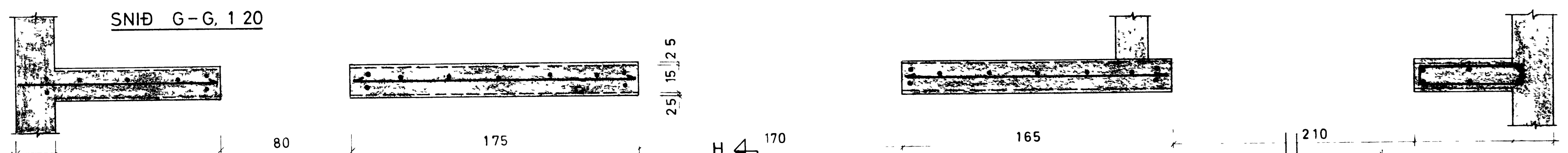
E-E, 120



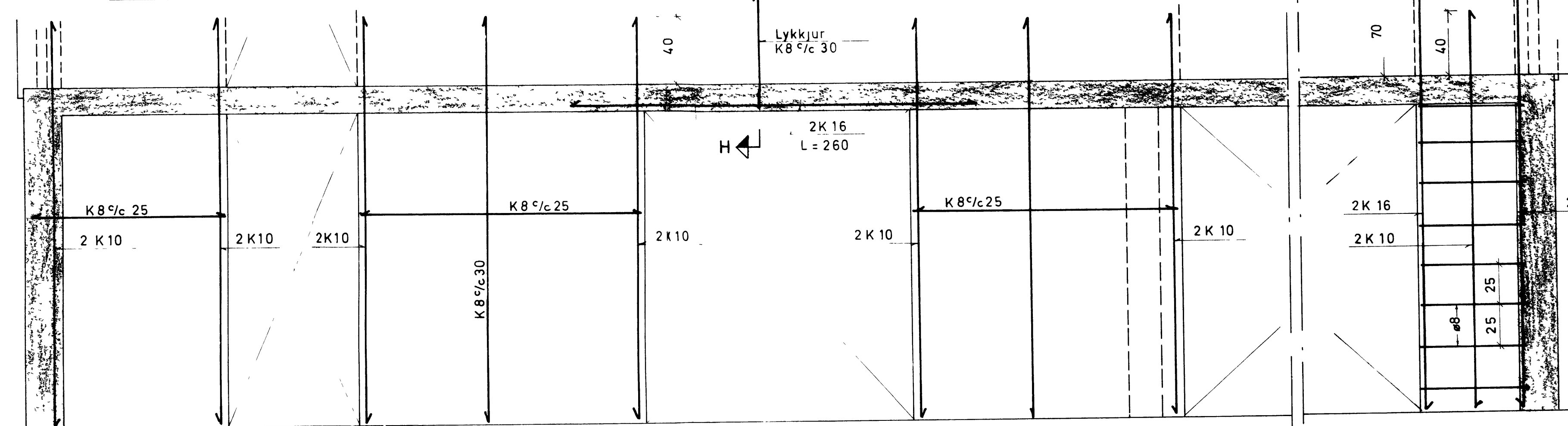
D-D, 120



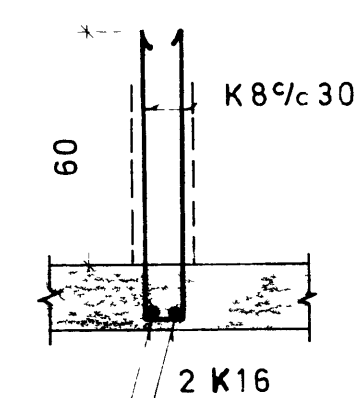
SNID G-G, 120



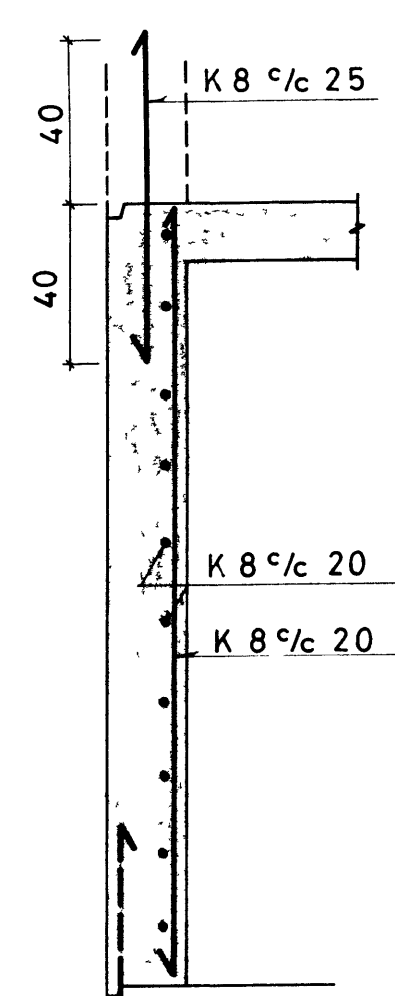
VEGGUR V3, M120



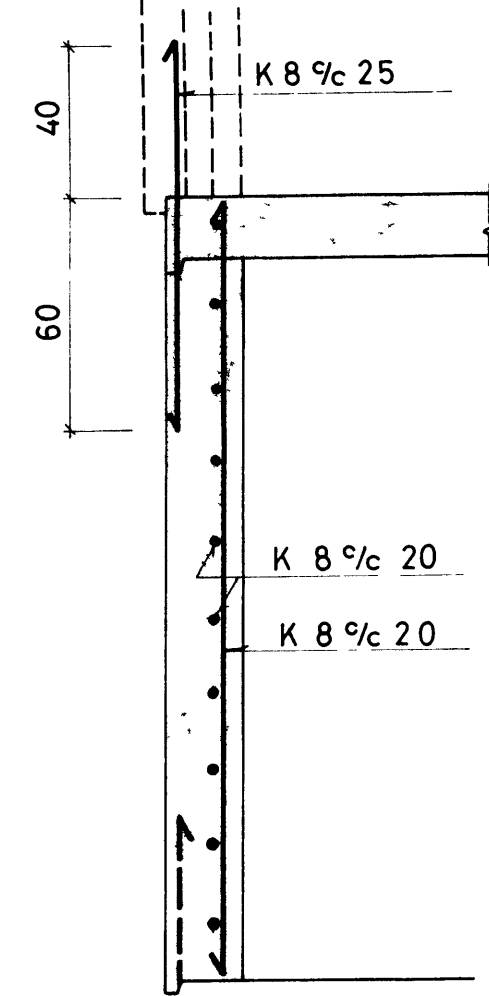
SNID H-H, M120



A-A, 120



B-B, 120



C-C, 120

